

MERKUR

Light, versatile and mobile



INNOVATIONS FOR PATIENT CARE

TRUMPF



Energy Independent Surgery



1 MERKUR 2.1 with body elevator

The mobile operating table MERKUR 2.1 S includes all adjustment possibilities, which are required by a modern universal OR table for any surgery. Comprehensive accessories fulfil further wishes of the doctors – even in the case of special positioning.

- All functions can be manually adjusted
- Due to the pneumatic support, the table can be operated easily and with a minimum of exertion
- Even without a power supply and complex technology, the table offers a wide range of applications
- This mobility and versatility is a decisive advantage in difficult situations

- The proportions of column and chassis ensure the stability of the table
- High stability is ensured by the Y-shaped foot as well as 4 stamps which can be extended in the brake position via a lever mechanism with cable pull
- The big wheels ensure outstanding running characteristics, both in freewheeling (all wheels move freely) and in directional running (one wheel is fixed) even on uneven floors
- Plenty of space for the surgical team's feet enables optimum working conditions
- Foot, column covering, table top and standard rails are made of disinfectant-resistant, easy-to-clean stainless steel.



2 Head positioning with head rest system



3 Head positioning with Mayfield head positioning system



4 The extension unit turns the MERKUR into an optimum OR table for orthopaedics and traumatology



5 Gynaecology/Urology

Optimum surgical positioning



1 *Hyperextended positioning for conventional gall bladder surgery*

The good adjustment possibilities of the OR table MERKUR and the comprehensive accessory enable unlimited patient positioning for all surgical disciplines – including general surgery, knee arthroscopy, neurosurgery and gynaecology/urology as well as orthopaedics and traumatology.



2



3

- 2 Struma position
- 3 Endoscopic inguinal hernia



4



5

- 4 Thorax position with body elevator
- 5 Thorax position



6



7

- 6 Arthroscopy
- 7 Head rest system



8



9

- 8 Urology
- 9 Lithotomy position

- 1 Renal positioning
- 2 Spinal positioning



1



2

- 3 Craniotomy in supine position
- 4 Craniotomy in prone position



3



4

- 5 Craniotomy semi-seated
- 6 Prone upper arm positioning



5



6

- 7 Femoral extension in supine position
- 8 Femoral extension in supine position

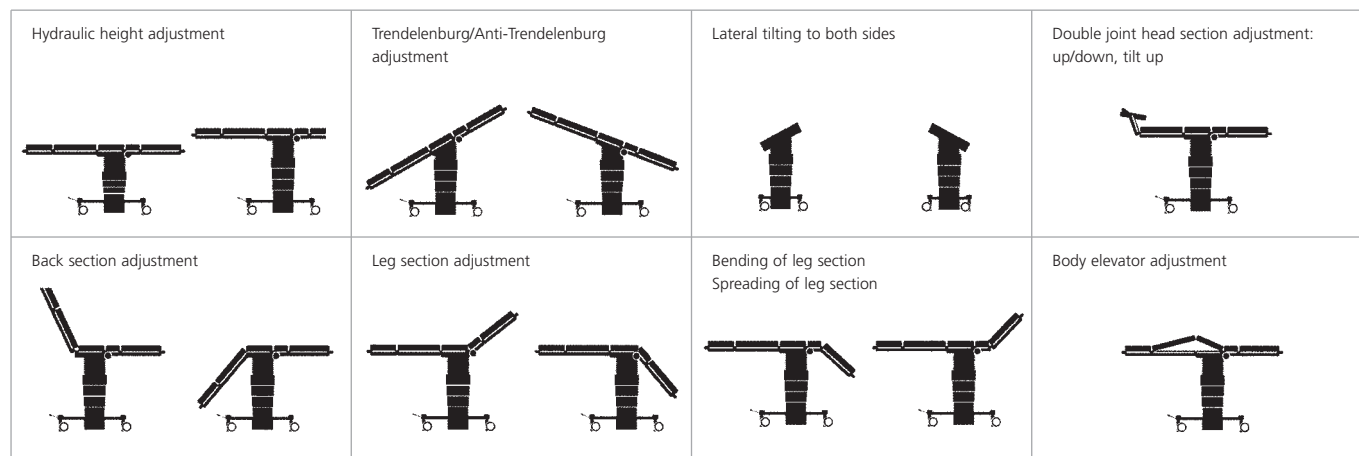


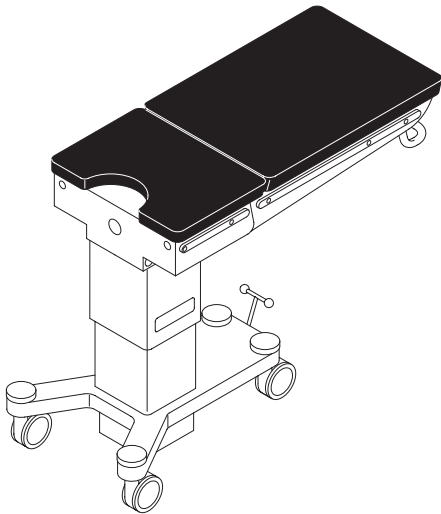
7

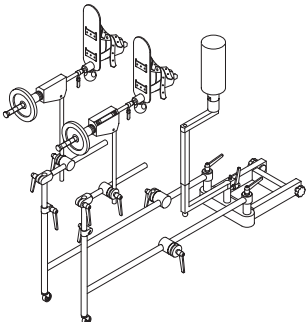


8

Technical details



MERKUR 2.1 S	Material No. 4544057	Technical specifications	
<p>Mobile universal operating table in modular design with closed hydraulic system for height adjustment, with 4- to 8-fold segmented universal table top, 50-mm CFC-free pad, integral foam, electrically conductive and X-ray capable. Standard rails on both sides (10 x 25 mm) made of nickel chromium steel for mounting accessories. Guide angle for X-ray cassette. Foot, column covering and table top made of nickel chromium steel. Y-shaped chassis. TÜV-tested, CE-symbol.</p> 		Weight without head and leg section	120 kg
		Weight with head and leg section (2-part)	150 kg
		Height max.	1,040 mm
		Height min.	740 mm
		Lift	300 mm
		Width over sliding rails	580 mm
		Head section, length	280 mm
		Back section, length	400 mm
		Leg section one-part, length	730 mm
		Leg section two-part, length	730 mm
		Leg section four-part, length	275 / 510 mm
		Overall length over head and leg section (2-part)	2,100 mm
		Trendelenburg/Anti-Trendelenburg	25°
		Tilting	± 20°
		Back section, up	70°
		Back section, down	45°
		Leg section, up	20°
Leg section, down	85°		
Body elevator max.	140 mm		
Accessories	Material No.		
Head section MERKUR, simple	4544472		
Head section MERKUR, double joint	4544444		
Leg section MERKUR, one-part	4544475		
Leg section MERKUR, two-part	4544474		
Leg holder after Goepel	4544736		
Seat section extension MERKUR	4544510		
Body elevator MERKUR	4544416		

ADDITIONAL EXTENSION MERKUR	Material No. 1219012	Basic equipment:			
<p>Additional extension for orthopaedics and traumatology; made of stainless steel and nickel-plated aluminium; for operating table MERKUR 2.1 S 4544057</p> 		Mounting adaptor, right extension strut, left extension strut, leg holder (pair), countertraction strut, right L-adaptor, left L-adaptor, spindle traction mechanism (pair), countertraction adaptor, countertraction rod, large pelvic support; small pelvic support			
		Accessories	Material No.		
		Standard rail extension	1218664		
		Perineal cutout	1218870		
		Adaptor for Kirschner clamp	1218837		
		Adaptor for Kirschner clamp, simple	4544784		
		PVC extension shoes for children, pair	1218863		
		Adapter for extension shoes, pair	1218871		
		Leather sandal for additional extension, right	1232548		
		Leather sandal for additional extension, left	1232547		
		PVC extension shoe, left	1217672		
		PVC extension shoe, right	1217673		



INNOVATIONS FOR PATIENT CARE

